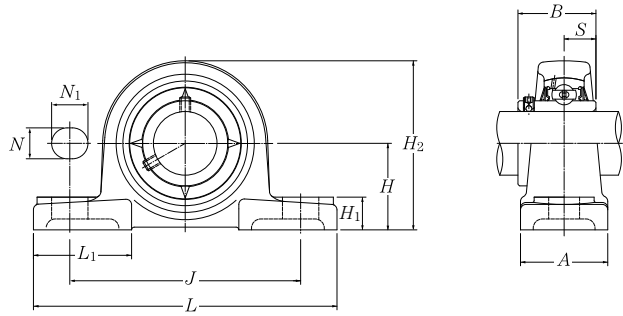


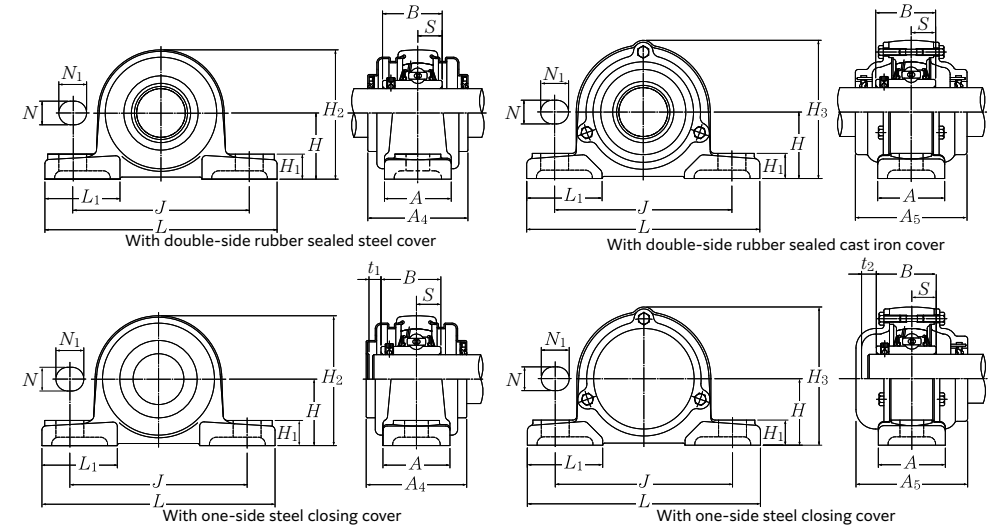
Cast iron pillow blocks UCP type / cylindrical bore type, setscrew type



Shaft diameter: 12 to 50 mm

Shaft dia. mm	Unit number ¹⁾²⁾	Dimensions mm											Fixing bolt	Number	Bearing		
		H	L	J	A	N	N ₁	H ₁	H ₂	L ₁	B	S			C _r	Basic load rating dynamic kN C _{0r}	static kN C _{0s}
12	UCP201	30.2	127	95	38	13	16	14	62	42	31	12.7	M10	UC201D1	14.2	6.65	0.505
15	UCP202	30.2	127	95	38	13	16	14	62	42	31	12.7	M10	UC202D1	14.2	6.65	0.505
17	UCP203	30.2	127	95	38	13	16	14	62	42	31	12.7	M10	UC203D1	14.2	6.65	0.505
20	UCP204	33.3	127	95	38	13	16	14	65	42	31	12.7	M10	UC204D1	14.2	6.65	0.505
25	UCP205	36.5	140	105	38	13	16	15	71	42	34.1	14.3	M10	UC205D1	15.5	7.85	0.55
	UCPX05	44.4	159	119	51	17	20	18	85	50	38.1	15.9	M14	UCX05D1	21.6	11.3	0.795
	UCP305	45	175	132	45	17	20	15	85	54	38	15	M14	UC305D1	23.5	10.9	0.855
30	UCP206	42.9	165	121	48	17	20	17	83	54	38.1	15.9	M14	UC206D1	21.6	11.3	0.795
	UCPX06	47.6	175	127	57	17	20	20	93	54	42.9	17.5	M14	UCX06D1	28.4	15.3	1.09
	UCP306	50	180	140	50	17	20	18	95	54	43	17	M14	UC306D1	29.5	15.0	1.14
35	UCP207	47.6	167	127	48	17	20	18	93	54	42.9	17.5	M14	UC207D1	28.4	15.3	1.09
	UCPX07	54	203	144	57	17	20	21	105	60	49.2	19	M14	UCX07D1	32.5	17.8	1.24
	UCP307	56	210	160	56	17	25	20	106	60	48	19	M14	UC307D1	37.0	19.1	1.47
40	UCP208	49.2	184	137	54	17	20	18	98	52	49.2	19	M14	UC208D1	32.5	17.8	1.24
	UCPX08	58.7	222	156	67	20	23	26	111	65	49.2	19	M16	UCX08D1	36.0	20.4	1.60
	UCP308	60	220	170	60	17	27	22	116	60	52	19	M14	UC308D1	45.0	24.0	1.83
45	UCP209	54	190	146	54	17	20	20	106	60	49.2	19	M14	UC209D1	36.0	20.4	1.60
	UCPX09	58.7	222	156	67	20	23	26	116	65	51.6	19	M16	UCX09D1	39.0	23.2	1.82
	UCP309	67	245	190	67	20	30	24	129	65	57	22	M16	UC309D1	58.5	32.0	2.50
50	UCP210	57.2	206	159	60	20	23	21	114	65	51.6	19	M16	UC210D1	39.0	23.2	1.82
	UCPX10	63.5	241	171	73	20	23	27	126	70	55.6	22.2	M16	UCX10D1	48.0	29.2	2.29
	UCP310	75	275	212	75	20	35	27	143	75	61	22	M16	UC310D1	68.5	38.5	2.99

1) Spherical graphite cast iron bearings are also available based on request. In this case, a supplementary suffix "N1" is added after the unit number. Example: UCP320N1
2) The unit numbers indicate the oil-free type, and supplementary suffix "D1" is added after the number for the oil feeding type.

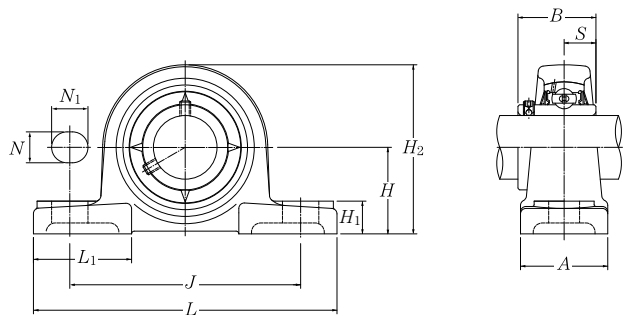


Standard housing number	Number of unit with steel cover		Number of unit with cast iron cover		Dimensions mm					Unit mass (approx.)		
	Double-side rubber sealed cover	One-side closing cover	Double-side rubber sealed cover	One-side closing cover	t ₁	t ₂	A ₄	H ₃	A ₅	Standard	kg With steel cover	kg With cast iron cover
P203	S-UCP201	SM-UCP201	C-UCP201	CM-UCP201	5	8	51	67	62	0.7	0.7	0.9
P203	S-UCP202	SM-UCP202	C-UCP202	CM-UCP202	5	8	51	67	62	0.7	0.7	0.9
P203	S-UCP203	SM-UCP203	C-UCP203	CM-UCP203	5	8	51	67	62	0.7	0.7	0.9
P204	S-UCP204	SM-UCP204	C-UCP204	CM-UCP204	5	8	51	70	62	0.7	0.7	0.9
P205	S-UCP205	SM-UCP205	C-UCP205	CM-UCP205	7	11	57	76	70	0.8	0.9	1.1
PX05	S-UCPX05	SM-UCPX05	C-UCPX05	CM-UCPX05	7	11	62	89	75	1.4	1.5	1.8
P305	-	-	C-UCP305	CM-UCP305	-	12	-	91	80	1.4	-	1.8
P206	S-UCP206	SM-UCP206	C-UCP206	CM-UCP206	7	11	62	88	75	1.4	1.4	1.7
PX06	S-UCPX06	SM-UCPX06	C-UCPX06	CM-UCPX06	8	10	72	99	80	1.8	2	2.4
P306	-	-	C-UCP306	CM-UCP306	-	11	-	105	85	1.8	-	2.5
P207	S-UCP207	SM-UCP207	C-UCP207	CM-UCP207	8	10	72	99	80	1.6	1.7	2
PX07	S-UCPX07	SM-UCPX07	C-UCPX07	CM-UCPX07	8	9	82	110	90	2.4	2.6	3.3
P307	-	-	C-UCP307	CM-UCP307	-	13	-	115	95	2.5	-	3.2
P208	S-UCP208	SM-UCP208	C-UCP208	CM-UCP208	8	9	82	105	90	1.9	2.1	2.7
PX08	S-UCPX08	SM-UCPX08	C-UCPX08	CM-UCPX08	8	12	82	118	95	2.9	3.1	3.8
P308	-	-	C-UCP308	CM-UCP308	-	13	-	125	105	3	-	4.1
P209	S-UCP209	SM-UCP209	C-UCP209	CM-UCP209	8	12	82	113	95	2.2	2.4	3
PX09	S-UCPX09	SM-UCPX09	C-UCPX09	CM-UCPX09	8	12	87	120	100	3.2	3.5	4.2
P309	-	-	C-UCP309	CM-UCP309	-	14	-	140	110	4.1	-	5.5
P210	S-UCP210	SM-UCP210	C-UCP210	CM-UCP210	8	12	87	119	100	2.7	2.8	3.6
PX10	S-UCPX10	SM-UCPX10	C-UCPX10	CM-UCPX10	10	11	92	130	100	4.1	4.5	5.4
P310	-	-	C-UCP310	CM-UCP310	-	15	-	156	120	5.6	-	7.1

Bearing Units



Cast iron pillow blocks UCP type / cylindrical bore type, setscrew type

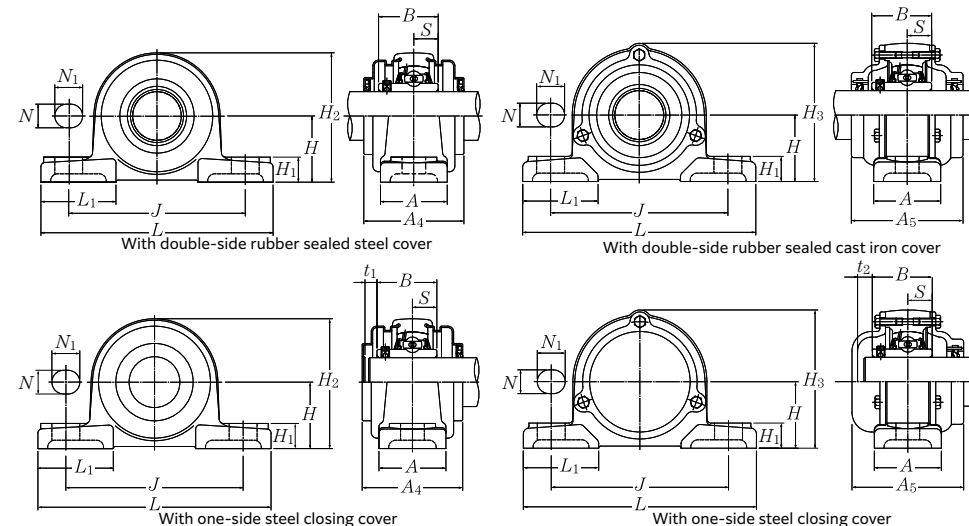


Shaft diameter: 55 to 90 mm

Shaft dia. mm	Unit number ¹⁾²⁾	Dimensions mm											Fixing bolt	Number	Bearing		
		H	L	J	A	N	N ₁	H ₁	H ₂	L ₁	B	S			Basic load rating dynamic C _r	static C _{0r}	Fatigue load limit C _u
55	UCP211	63.5	219	171	60	20	23	23	126	65	55.6	22.2	M16	UC211D1	48.0	29.2	2.29
	UCPX11	69.8	260	184	79	25	28	30	137	75	65.1	25.4	M20	UCX11D1	58.0	36.0	2.83
	UCP311	80	310	236	80	20	38	30	154	85	66	25	M16	UC311D1	79.5	45.0	3.50
60	UCP212	69.8	241	184	70	20	23	25	138	70	65.1	25.4	M16	UC212D1	58.0	36.0	2.83
	UCPX12	76.2	286	203	83	25	28	33	151	80	65.1	25.4	M20	UCX12D1	63.5	40.0	3.15
	UCP312	85	330	250	85	25	38	32	165	95	71	26	M20	UC312D1	90.5	52.0	4.10
65	UCP213	76.2	265	203	70	25	28	27	151	77	65.1	25.4	M20	UC213D1	63.5	40.0	3.15
	UCPX13	76.2	286	203	83	25	28	33	154	80	74.6	30.2	M20	UCX13D1	69.0	44.0	3.45
	UCP313	90	340	260	90	25	38	33	176	105	75	30	M20	UC313D1	103	60.0	4.60
70	UCP214	79.4	266	210	72	25	28	27	157	77	74.6	30.2	M20	UC214D1	69.0	44.0	3.45
	UCPX14	88.9	330	229	89	27	30	35	170	95	77.8	33.3	M22	UCX14D1	73.5	49.5	3.80
	UCP314	95	360	280	90	27	40	35	187	105	78	33	M22	UC314D1	115	68.0	5.10
75	UCP215	82.6	275	217	74	25	28	28	163	80	77.8	33.3	M20	UC215D1	73.5	49.5	3.80
	UCPX15	88.9	330	229	89	27	30	35	175	95	82.6	33.3	M22	UCX15D1	80.5	53.0	3.95
	UCP315	100	380	290	100	27	40	35	198	110	82	32	M22	UC315D1	126	77.0	5.55
80	UCP216	88.9	292	232	78	25	28	30	175	85	82.6	33.3	M20	UC216D1	80.5	53.0	3.95
	UCPX16	101.6	381	283	102	27	30	40	194	110	85.7	34.1	M22	UCX16D1	92.0	64.0	4.60
	UCP316	106	400	300	110	27	40	40	210	110	86	34	M22	UC316D1	136	86.5	6.05
85	UCP217	95.2	310	247	83	25	28	32	187	85	85.7	34.1	M20	UC217D1	92.0	64.0	4.60
	UCPX17	101.6	381	283	102	27	30	40	200	110	96	39.7	M22	UCX17D1	106	71.5	5.00
	UCP317	112	420	320	110	33	45	40	220	120	96	40	M27	UC317D1	147	97.0	6.55
90	UCP218	101.6	327	262	88	27	30	33	200	90	96	39.7	M22	UC218D1	106	71.5	5.00
	UCPX18	101.6	381	283	111	27	30	40	206	110	104	42.9	M22	UCX18D1	121	82.0	5.55
	UCP318	118	430	330	110	33	45	45	235	120	96	40	M27	UC318D1	158	107	7.10

1) Spherical graphite cast iron bearings are also available based on request. In this case, a supplementary suffix "N1" is added after the unit number. Example: UCP320N1
2) The unit numbers indicate the oil-free type, and supplementary suffix "D1" is added after the number for the oil feeding type.

Bearing Units

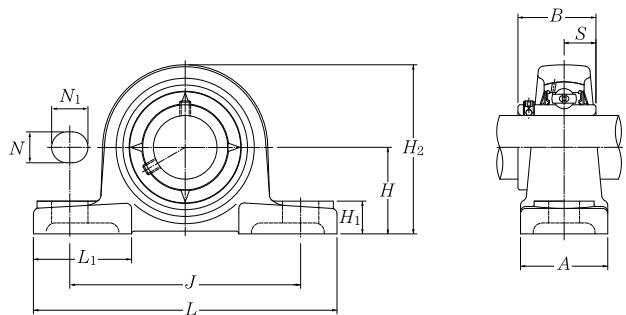


Standard housing number	Number of unit with steel cover		Number of unit with cast iron cover		Dimensions mm					Unit mass (approx.)		
	Double-side rubber sealed cover	One-side closing cover	Double-side rubber sealed cover	One-side closing cover	t ₁	t ₂	A ₄	H ₃	A ₅	Standard	kg With steel cover	With cast iron cover
P211	S-UCP211	SM-UCP211	C-UCP211	CM-UCP211	10	11	92	130	100	3.4	3.6	4.4
PX11	S-UCPX11	SM-UCPX11	C-UCPX11	CM-UCPX11	8	12	102	144	115	5.4	5.8	6.9
P311	-	-	C-UCP311	CM-UCP311	-	15	-	166	125	7.3	-	8.9
P212	S-UCP212	SM-UCP212	C-UCP212	CM-UCP212	8	12	102	143	115	4.7	5	6
PX12	S-UCPX12	SM-UCPX12	C-UCPX12	CM-UCPX12	11	15	107	155	120	6.8	7.3	8.6
P312	-	-	C-UCP312	CM-UCP312	-	16	-	179	135	9.4	-	11
P213	S-UCP213	SM-UCP213	C-UCP213	CM-UCP213	11	15	107	155	120	5.6	5.8	7.2
PX13	-	-	C-UCPX13	CM-UCPX13	-	17	-	159	135	7.1	-	9.4
P313	-	-	C-UCP313	CM-UCP313	-	19	-	190	140	10	-	13
P214	-	-	C-UCP214	CM-UCP214	-	17	-	162	135	6.5	-	8.4
PX14	-	-	C-UCPX14	CM-UCPX14	-	17	-	175	135	9.3	-	12
P314	-	-	C-UCP314	CM-UCP314	-	19	-	200	140	12	-	14
P215	-	-	C-UCP215	CM-UCP215	-	17	-	168	135	7.2	-	9.3
PX15	-	-	C-UCPX15	CM-UCPX15	-	17	-	181	145	10	-	13
P315	-	-	C-UCP315	CM-UCP315	-	19	-	210	150	14	-	17
P216	-	-	C-UCP216	CM-UCP216	-	17	-	181	145	8.7	-	11
PX16	-	-	C-UCPX16	CM-UCPX16	-	19	-	198	155	14	-	17
P316	-	-	C-UCP316	CM-UCP316	-	18	-	221	155	17	-	21
P217	-	-	C-UCP217	CM-UCP217	-	19	-	191	155	11	-	13
PX17	-	-	C-UCPX17	CM-UCPX17	-	20	-	204	165	15	-	19
P317	-	-	C-UCP317	CM-UCP317	-	21	-	235	170	19	-	24
P218	-	-	C-UCP218	CM-UCP218	-	20	-	204	165	13	-	16
PX18	-	-	C-UCPX18	CM-UCPX18	-	22	-	208	180	16	-	21
P318	-	-	C-UCP318	CM-UCP318	-	21	-	246	170	22	-	27

Bearing Units

NTN

Cast iron pillow blocks UCP type / cylindrical bore type, setscrew type

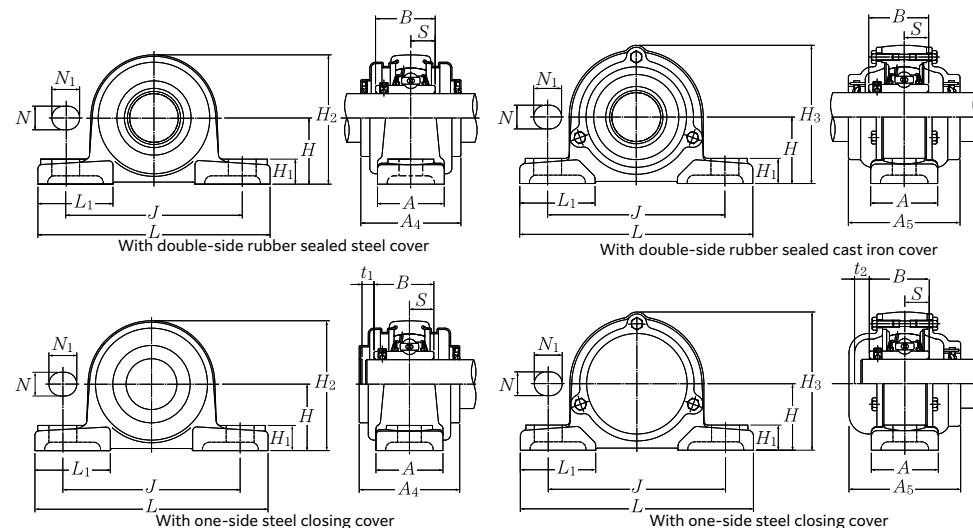


Shaft diameter: 95 to 140 mm

Shaft dia. mm	Unit number ¹⁾²⁾	Dimensions mm											Fixing bolt	Number	Bearing		
		H	L	J	A	N	N ₁	H ₁	H ₂	L ₁	B	S			C _r	C _{0r}	C _u
95	UCP319	125	470	360	120	36	50	45	250	125	103	41	M30	UC319D1	169	119	7.65
100	UCP320	140	490	380	120	36	50	50	275	130	108	42	M30	UC320D1	192	141	8.75
	UCPX20	127	432	337	121	33	36	45	244	125	117.5	49.2	M27	UCX20D1	147	105	6.75
105	UCP321	140	490	380	120	36	50	50	280	130	112	44	M30	UC321D1	204	153	9.35
110	UCP322	150	520	400	140	40	55	55	300	135	117	46	M33	UC322D1	227	179	10.5
120	UCP324	160	570	450	140	40	55	65	320	140	126	51	M33	UC324D1	229	185	10.5
130	UCP326	180	600	480	140	40	55	75	355	140	135	54	M33	UC326D1	254	214	11.7
140	UCP328	200	620	500	140	40	55	75	390	140	145	59	M33	UC328D1	280	246	13.0

Bearing Units

NTN



Standard housing number	Number of unit with steel cover		Number of unit with cast iron cover		Dimensions mm					Unit mass (approx.) kg		
	Double-side rubber sealed cover	One-side closing cover	Double-side rubber sealed cover	One-side closing cover	t ₁	t ₂	A ₄	H ₃	A ₅	Standard	With steel cover	With cast iron cover
P319	-	-	C-UCP319	CM-UCP319	-	20	-	258	180	26	-	32
P320	-	-	C-UCP320	CM-UCP320	-	20	-	283	190	33	-	39
PX20	-	-	C-UCPX20	CM-UCPX20	-	23	-	244	195	25	-	29
P321	-	-	C-UCP321	CM-UCP321	-	20	-	290	195	35	-	42
P322	-	-	C-UCP322	CM-UCP322	-	20	-	313	200	43	-	52
P324	-	-	C-UCP324	CM-UCP324	-	22	-	335	215	50	-	67
P326	-	-	C-UCP326	CM-UCP326	-	21	-	375	225	69	-	85
P328	-	-	C-UCP328	CM-UCP328	-	21	-	407	235	84	-	100

1) Spherical graphite cast iron bearings are also available based on request. In this case, a supplementary suffix "N1" is added after the unit number. Example: UCP320N1
 2) The unit numbers indicate the oil-free type, and supplementary suffix "D1" is added after the number for the oil feeding type.